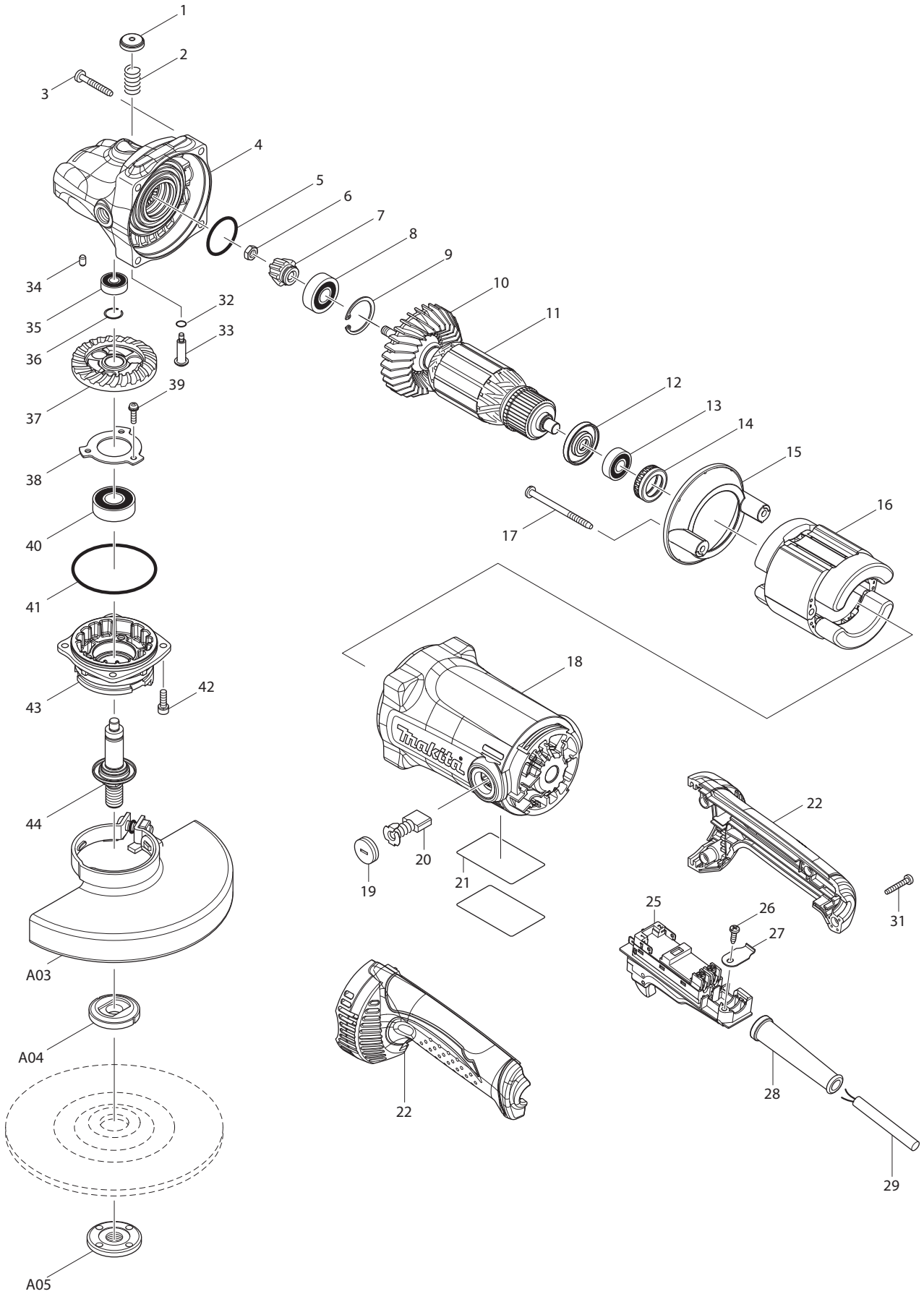




08 - 2010  
GA7050  
7" GRINDER AC/DC



## PARTS LIST

Item No	Type	Part No	Description	Qty	Unit
001		451485-7	PIN CAP	1	PC.
002		233292-8	COMPRESSION SPRING 12	1	PC.
003		266373-3	TAPPING SCREW 5X35	4	PC.
004	2	143016-3	GEAR HOUSING COMPLETE	1	PC.
004	2	INC. 262153-5	FELT RING 16	1	PC.
005		213487-9	O RING 31	1	PC.
006		264010-3	HEX.NUT M7	1	PC.
007		227564-1	SPIRAL BEVEL GEAR 10A	1	PC.
008	2	211137-0	BALL BEARING 6201LLU	1	PC.
009		257965-9	RETAINING RING (INT) R-32	1	PC.
010		240120-0	FAN 80	1	PC.
011		518746-9	ARMATURE ASSEMBLY 115V	1	PC.
011		INC.	Item No. 10,12,13		
012		681657-2	INSULATION WASHER	1	PC.
013		210059-1	BALL BEARING 6000DDW	1	PC.
014		421490-8	RUBBER RING 26	1	PC.
015		451480-7	BAFFLE PLATE	1	PC.
016		523411-7	FIELD ASSEMBLY 115V	1	PC.
016	2	INC. 654891-7	RECEPTACLE	2	PC.
017	2	266038-7	TAPPING SCREW 5X70	2	PC.
018	1	140514-8	MOTOR HOUSING COMPLETE	1	PC.
018	1	INC. 810341-4	CAUTION LABEL - removed	1	PC.
018	1	INC. 643707-1	BRUSH HOLDER	2	PC.
018	2	140222-1	MOTOR HOUSING COMPLETE	1	PC.
018	2	INC. 643707-1	BRUSH HOLDER	2	PC.
019		643700-5	BRUSH HOLDER CAP 7-18	2	PC.
020		194992-4	CARBON BRUSH CB-204	1	PC.
021		867553-0	GA7050 NAME PLATE	1	PC.
022		188848-1	HANDLE SET	1	PC.
022		INC. 423404-3	SPONGE SHEET	1	PC.
025	1	650101-0	SWITCH TG08-1100-011, LOCK-ON	1	PC.
025	2	650106-0	SWITCH TG08-1100-011, LOCK-ON & LOCK-OFF	1	PC.
026		266385-6	TAPPING SCREW 4X14	1	PC.
027		687169-3	STRAIN RELIEF	1	PC.
028		682574-9	CORD GUARD 10-90	1	PC.
029		664463-0	CORD W/PLUG 2P-14-2.5M, SJ	1	PC.
031		266374-1	TAPPING SCREW 4X25	4	PC.
032		213026-5	O RING 7	1	PC.

Item No	Type	Part No	Description	Qty	Unit
033		256516-5	SHOULDER PIN 11	1	PC.
034		263002-9	RUBBER PIN 4	1	PC.
035		210029-0	BALL BEARING 608ZZ	1	PC.
036		233925-5	RING SPRING 13	1	PC.
037		227562-5	SPIRAL BEVEL GEAR 38	1	PC.
038		285851-4	BEARING RETAINER	1	PC.
039		911128-8	PAN HEAD SCREW M4X16	3	PC.
040		211241-5	BALL BEARING 6202DDW	1	PC.
041		213720-9	O RING 67	1	PC.
042		922221-3	HEX. SOCKET HEAD BOLT M5X16	4	PC.
043		318523-7	BEARING BOX	1	PC.
044		140315-4	SPINDLE COMPLETE B	1	PC.
044	INC.	346166-5	LABYRINTH RING 23	1	PC.
100		654208-4	RECEPTACLE	2	PC.
101		654551-1	CONNECTOR	2	PC.
200		870846-6	CARTON	1	PC.
A01		152539-0	GRIP 36 COMPLETE	1	PC.
A01		194543-3	VIBRATION PROOF GRIP F/7-9", PKG	1	PC.
A02		782412-6	LOCK NUT WRENCH 28	1	PC.
A03	2	122939-8	WHEEL COVER ASSY F/7"	1	PC.
A03	2	INC. 265198-2	+PAN HEAD SCREW M8X25	1	PC.
A03	2	INC. 213017-6	O RING 6	1	PC.
A04		224317-9	INNER FLANGE 89	1	PC.
A05		224568-4	LOCK NUT 5/8-45	1	PC.
A06		-----	WIRE CUP BRUSH (See Catalogue for details)	1	PC.
A07		193048-0	SANDING LOCK NUT 5/8-48	1	PC.
A09		195059-1	DUST COVER ATTACHMENT SET	1	PC.
A10		-----	7" D.C.W. (See Catalogue for Details)	1	PC.
A11		-----	7" ABRASIVE DISC (See Catalogue for Details)	1	PC.
A12		743012-7	RUBBER PAD F/7" GRINDER-BULK	1	PC.
A14		224255-5	INNER FLANGE 78 F/C.O.W COVER	1	PC.
A15		122914-4	CUT-OFF WHEEL GUARD FOR 7"	1	PC.
A16		224305-6	OUTER FLANGE 78 F/C.O.W COVER (USE WITH 224568-4)	1	PC.
A17		198514-2	DUST COLLECTION WHEEL COVER SET F/ 7" DIAMOND BLADE	1	PC.
A17	INC.	122444-5	INNER FLANGE 47 ASSY	1	PC.